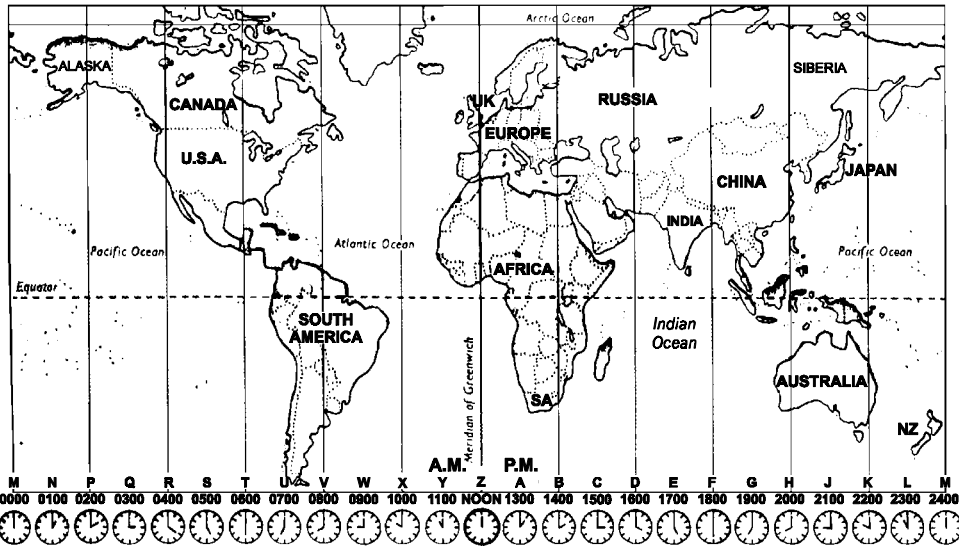


24 Hour Time

WORLD TIME ZONES - Eastern Australian Standard Time (KILO) is TEN HOURS Ahead of Greenwich (ZULU)

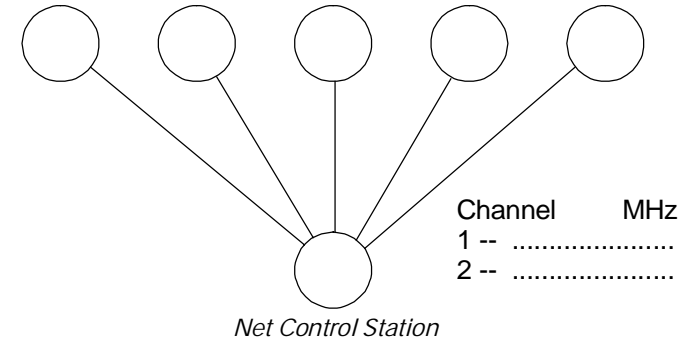


| INTERNATIONAL MORSE CODE | | PERIOD | |
|--------------------------|-----------------|-----------------|-------|
| A | ••— | 1 | ••••• |
| B | ••••• | 2 | ••••• |
| C | ••••• | 3 | ••••• |
| D | ••••• | 4 | ••••• |
| E | • (1 UNIT) | 5 | ••••• |
| F | ••••• | 6 | ••••• |
| G | ••••• | 7 | ••••• |
| H | ••••• | 8 | ••••• |
| I | •• | 9 | ••••• |
| J | ••••• | 0 | ••••• |
| K | ••••• | COMMA | ••••• |
| L | ••••• | COLON | ••••• |
| M | ••••• | QUERY | ••••• |
| N | ••••• | APOSTROPHE | ••••• |
| O | ••••• | HYPHEN | ••••• |
| P | ••••• | FRACTION BAR | ••••• |
| Q | ••••• | PARENTHESES | ••••• |
| R | ••••• | QUOTATION MARKS | ••••• |
| S | ••••• | | |
| T | ••••• (3 UNITS) | | |

| | | | | | |
|----------------|----------------|----------------|----------------|----------------|----------------|
| ¹ A | ¹ B | ¹ C | ¹ D | ¹ E | ¹ F |
| ¹ G | ¹ H | ¹ I | ¹ J | ¹ K | ¹ L |
| ¹ M | ¹ N | ¹ O | ¹ P | ¹ Q | ¹ R |
| ¹ S | ¹ T | ¹ U | ¹ V | ¹ W | ¹ X |
| ¹ Y | ¹ Z | ¹ 1 | ¹ 2 | ¹ 3 | ¹ 4 |
| ¹ 5 | ¹ 6 | ¹ 7 | ¹ 8 | ¹ 9 | ¹ 0 |

Your Callsign Date / / Loc.

RADIO NET DIAGRAM



Correct to -- Hrs / /

- Note: 1. Circles represent radio stations.
 2. Lines joining radio stations indicate they are all operating on the same frequency.
 3. In a "Signal Diagram" which shows Line circuits and other information, WAVY lines are used to join radio stations.

ALL STATION CALLS

When Control calls 'ALL STATIONS' the stations on the net answer in the order of their Call-sign. You answer immediately after the station with the next Lower Call-sign number to yours unless that station fails to answer. You then wait five seconds and answer yourself.

SIGNAL STRENGTH REPORTS

These should not be called for or be used unnecessarily -- No report by a station indicates LOUD AND CLEAR.

REPORT. ----- MEANING.

| | |
|-----------------------|---|
| LOUD AND CLEAR | I can hear and understand you perfectly. |
| READABLE | Your signal is not very strong but I can understand what you are saying. |
| WEAK | I can just hear you. |
| UNREADABLE | I can hear you but you are too weak to be understood. |
| DISTORTED | Your signal is strong enough but is so distorted I cannot understand the words. |
| FADING | Your signal strength varies. |

TIME CHECKS

Time Checks are given by and taken from the Net Control Station. A substation may request a Time Check or the NCS may give it arbitrarily or by SOP's. A Time Check is always given on opening a Net. The proword TIME or SEND TIME is used. NCS will give warning messages that TIME will be sent at Hrs with a countdown as it comes near. The NCS will confirm TIME and seek acknowledgment from Net stations.

LEGIBILITY OF WRITTEN MESSAGES

Messages must always be PRINTED for legibility as per the above diagram. For SPEED and LEGIBILITY the above printing method should be practised.

- The letter "U" is made with square corners to prevent confusion with the letter "V"
- A short line is placed through "Z" to prevent confusion with "2".
- The slant stroke through the number "0" (zero) distinguishes it from the letter "O".
- The number "1" is underscored to Prevent confusion with the letter "l" or "I".
- The letter "E" is made with two strokes. A good fast "E" is important for copying quickly.
- Text should be printed above the lines on ruled forms for clarity.

GOOD CONNECTIONS

Make sure that BATTERY, EARTH and ANTENNAE connections are all clean and tight. Lay power and RF cables so they do not create feed back or mutual interference.